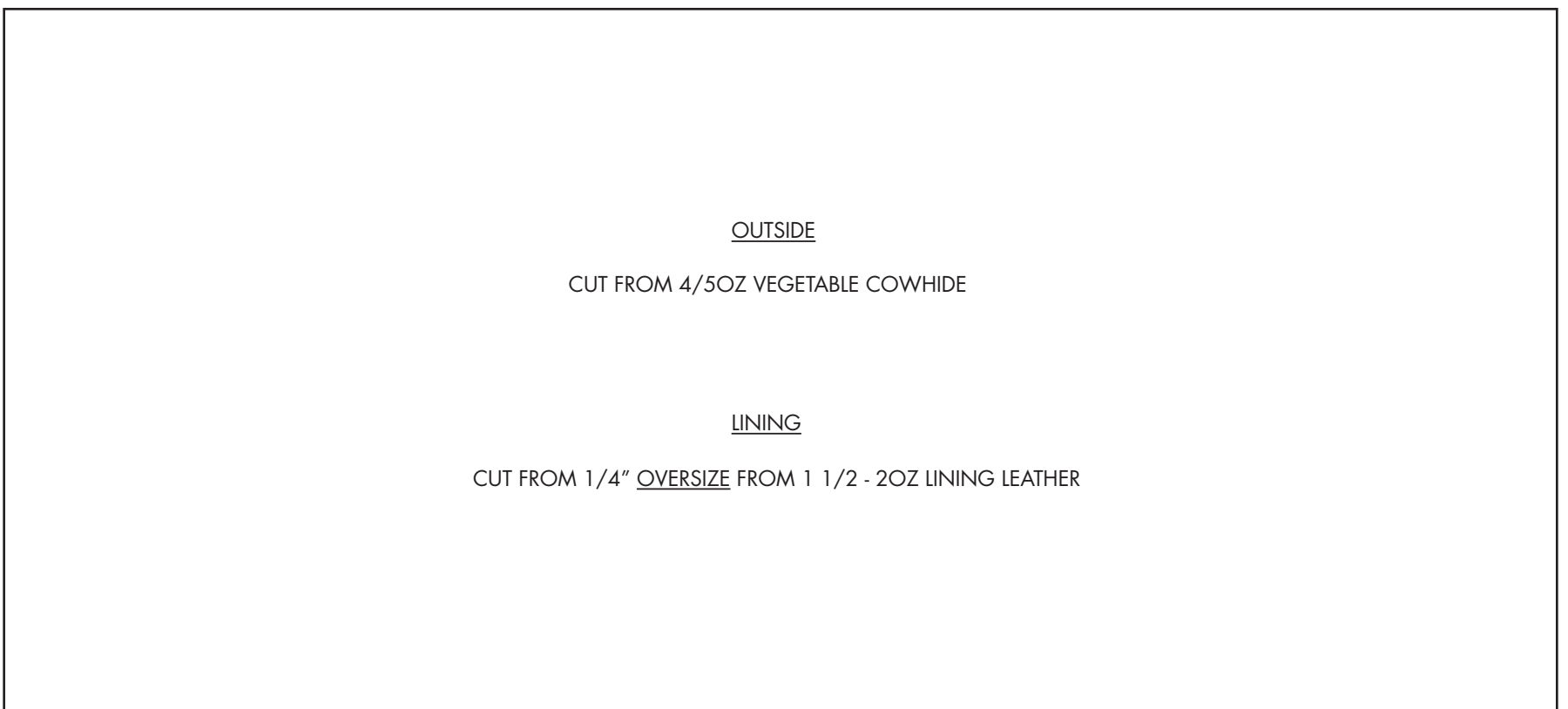
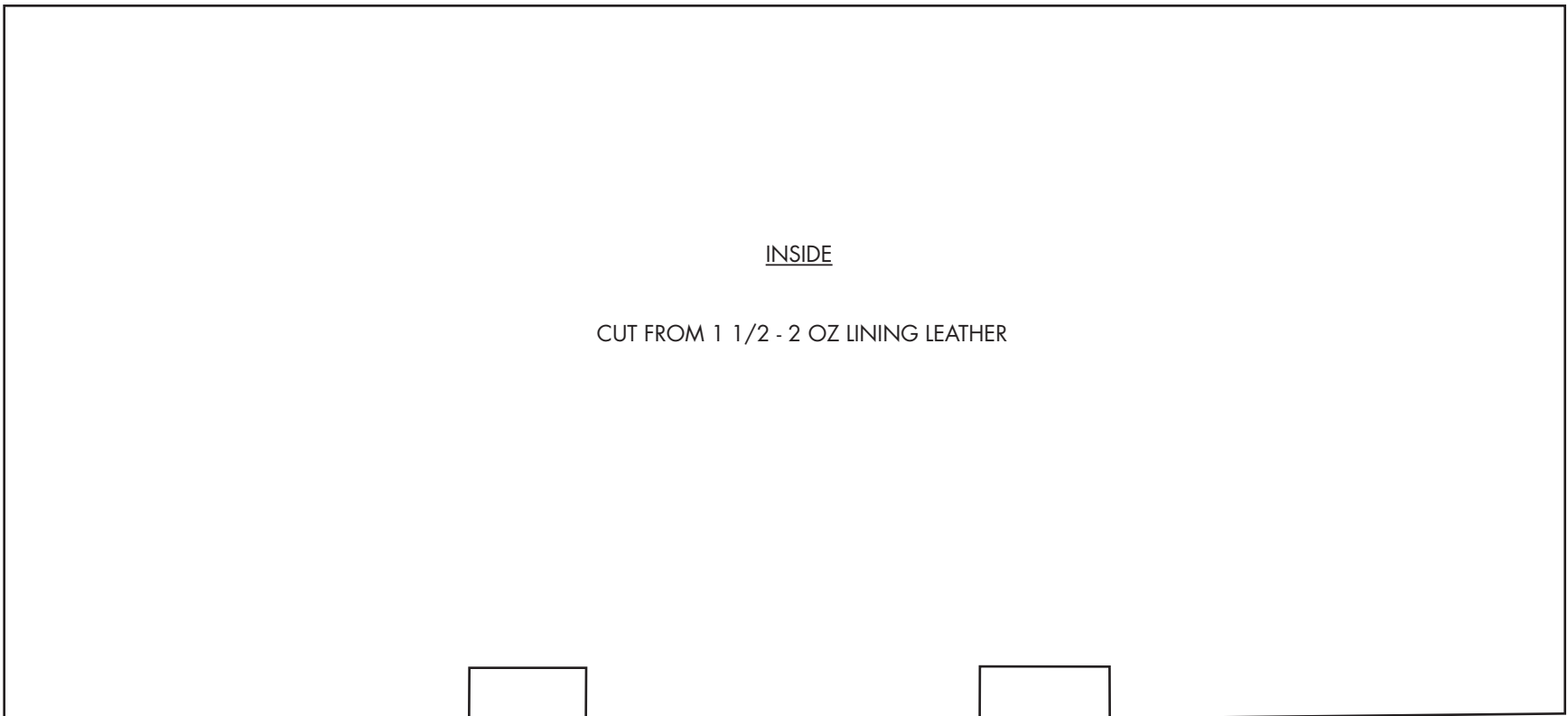
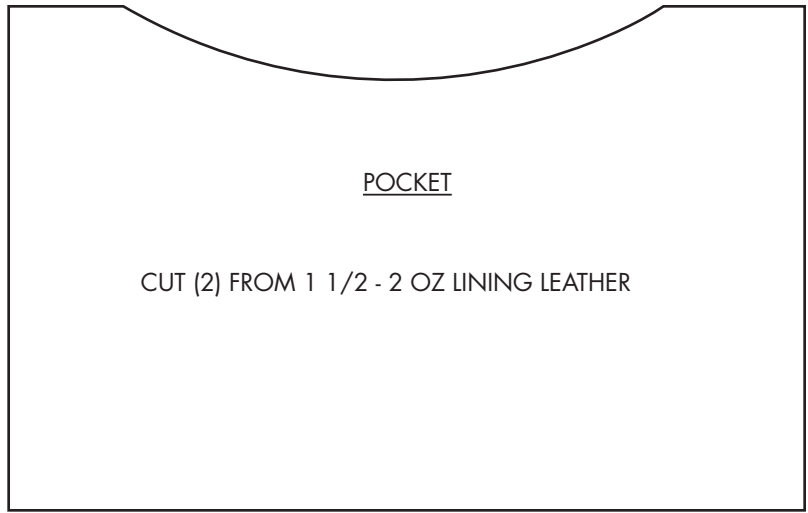
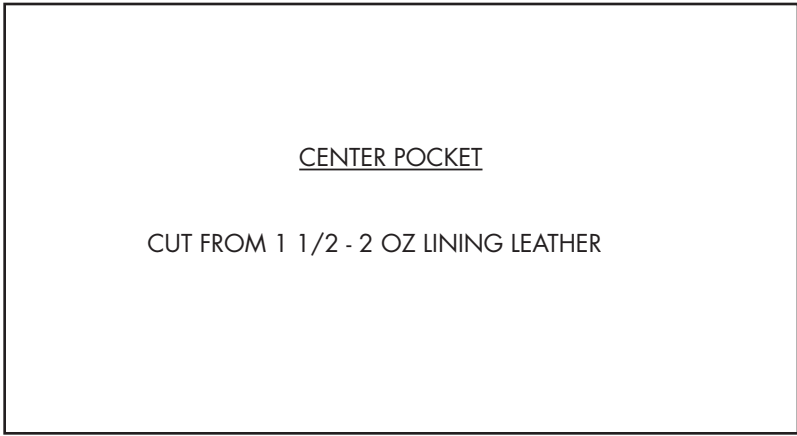




DIGITAL MEDIA FOR LEATHERCRAFTERS
LeathercraftLibrary.com

Triple Fold Billfold

Design by George Hurst. Pattern is reproduced at 100%.
 Visit www.tandy.com for all the supplies needed to complete this project.
 Visit www.LeadercraftLibrary.com for more great carving patterns.





CENTER POCKET

CUT FROM 1 1/2 - 2 OZ LINING LEATHER



DIGITAL MEDIA FOR LEATHERCRAFTERS
LeathercraftLibrary.com

Triple Fold Billfold

Design by George Hurst. Pattern is reproduced at 100%.

Visit www.tandyleather.com for all the supplies needed to complete this project.

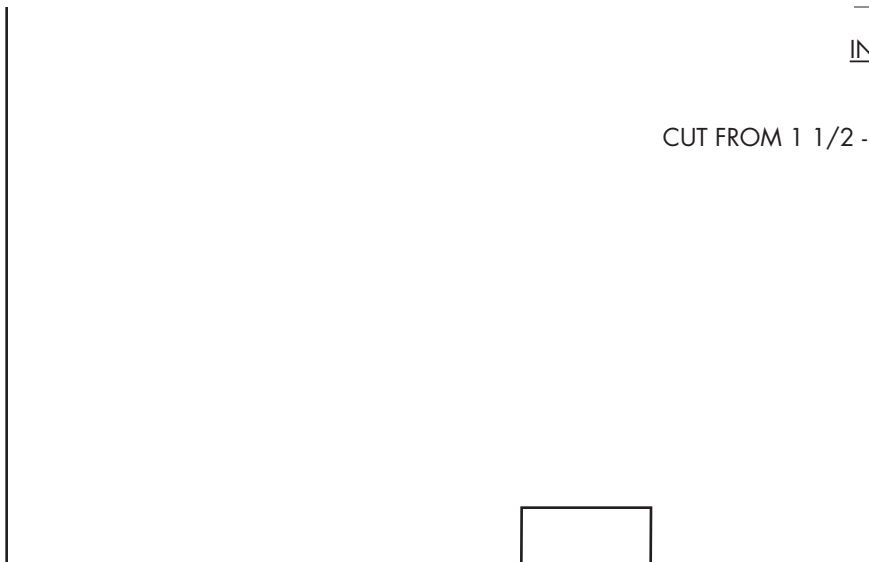
Visit www.LeanercraftLibrary.com for more great carving patterns.

POCKET

CUT (2) FROM 1 1/2 - 2 OZ LINING LEATHER

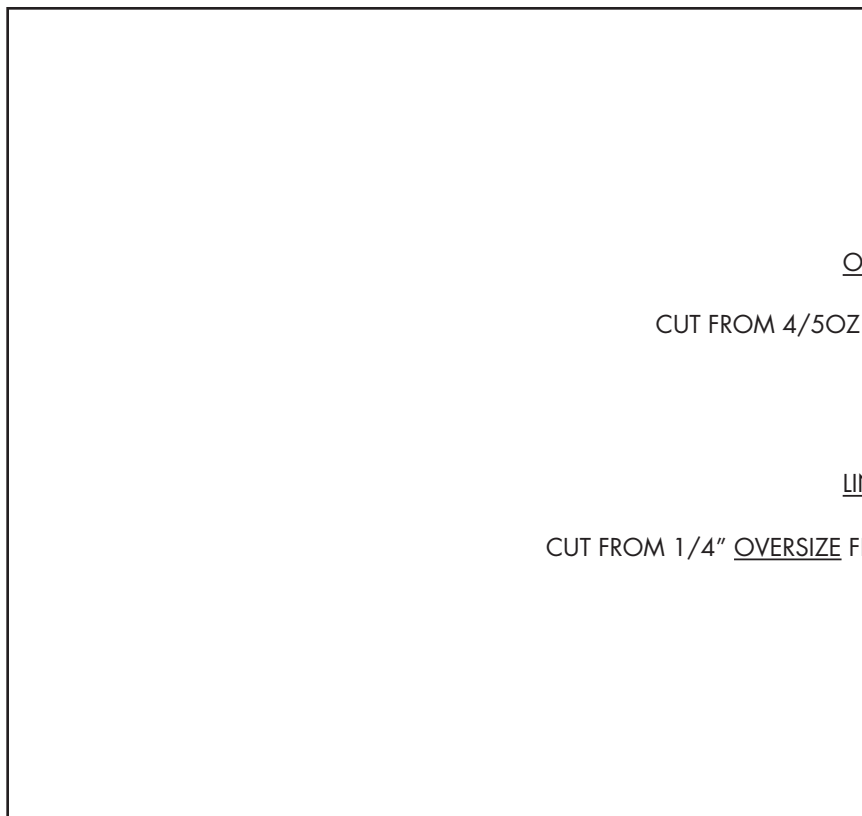
IN

CUT FROM 1 1/2 -



O

CUT FROM 4/5OZ



LI

CUT FROM 1/4" OVERSIZE FI



TLF_TripleFoldBillfold_0505

ISIDE

2 OZ LINING LEATHER

UTSIDE

VEGETABLE COWHIDE

LINING

ROM 1 1/2 - 2OZ LINING LEATHER