



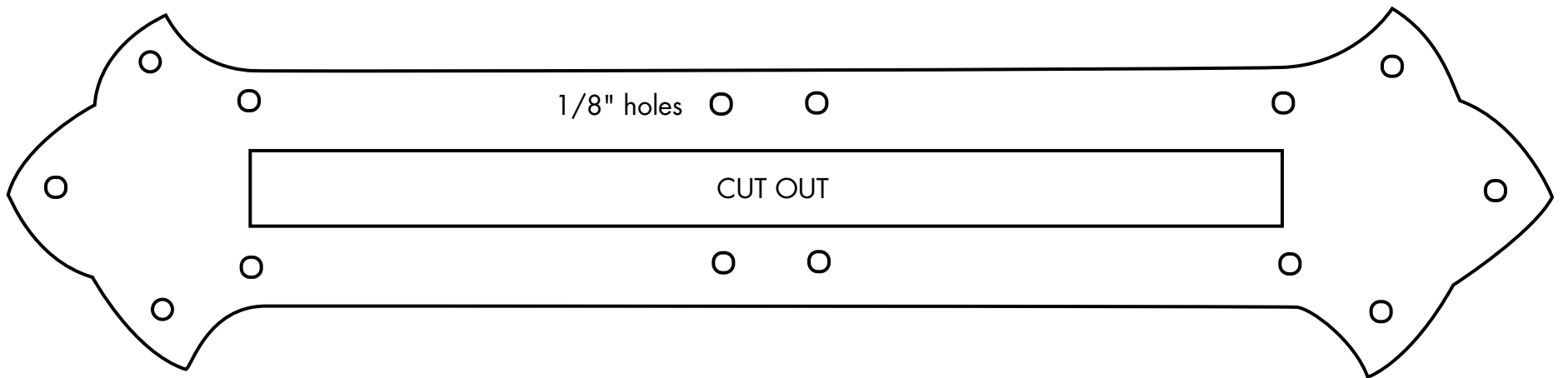
DIGITAL MEDIA FOR LEATHERCRAFTERS
LeathercraftLibrary.com

CRUSADER HELMET

Design by George Hurst. Pattern is reproduced at 100%.

Visit www.tandy.com for all the supplies
needed to complete this project.

Visit www.LeadercraftLibrary.com for more great
carving patterns.

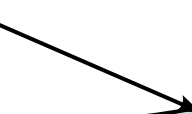


CROWN

NOTE: Cut all parts from 6 to 7 oz. vegetable tanned cowhide



GOUGE LINE



SKIVE



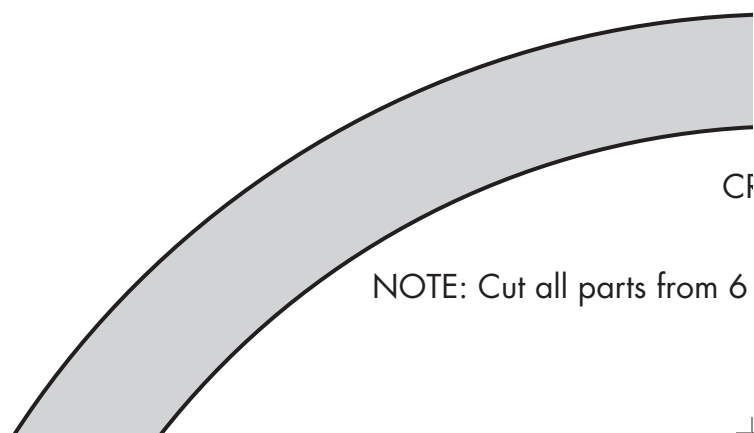
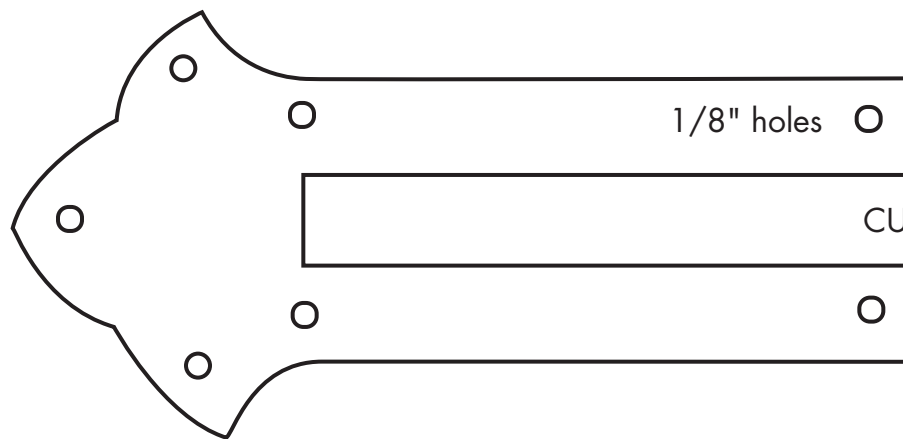
DIGITAL MEDIA FOR
Leathercraft

CRUSADE

Design by George Hurst. Pdf

Visit www.tandyleather.com
needed to complete

Visit www.LeadercraftLibrary.com
carving



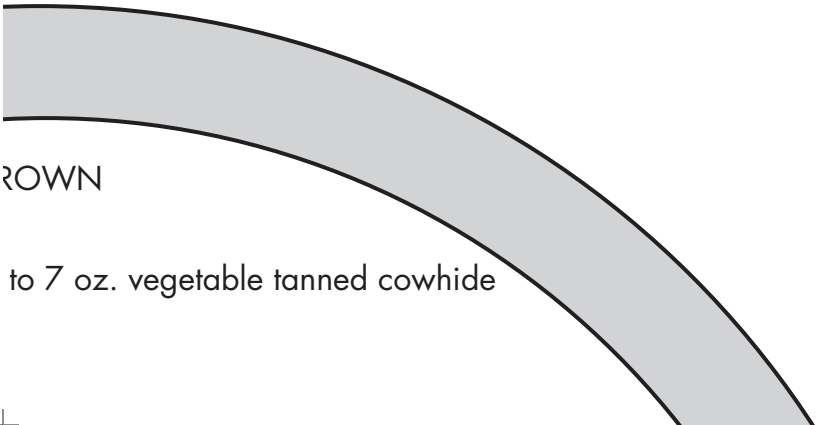
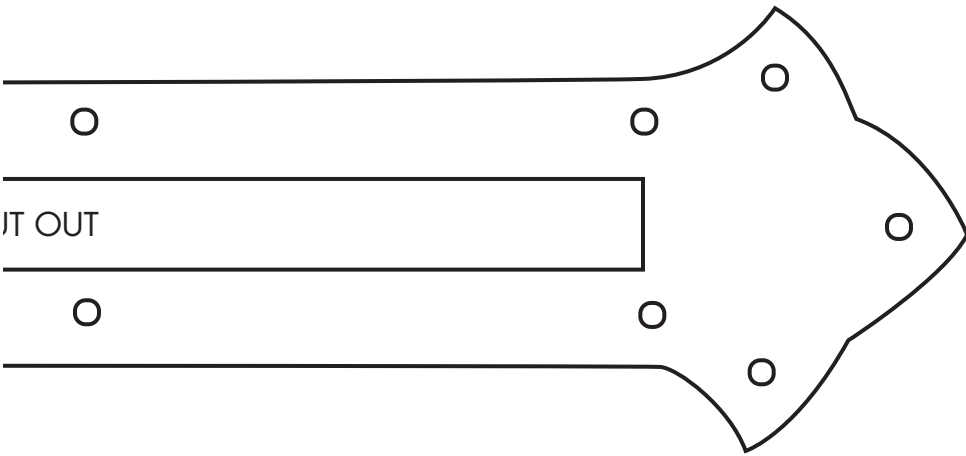
NOTE: Cut all parts from 6



LEATHERCRAFTERS
Library.com

WARRIOR HELMET

Pattern is reproduced at 100%.
Library.com for all the supplies
to complete this project.
Library.com for more great
patterns.



STRIP

cut to 7 oz. vegetable tanned cowhide



GOUGE LINE ·

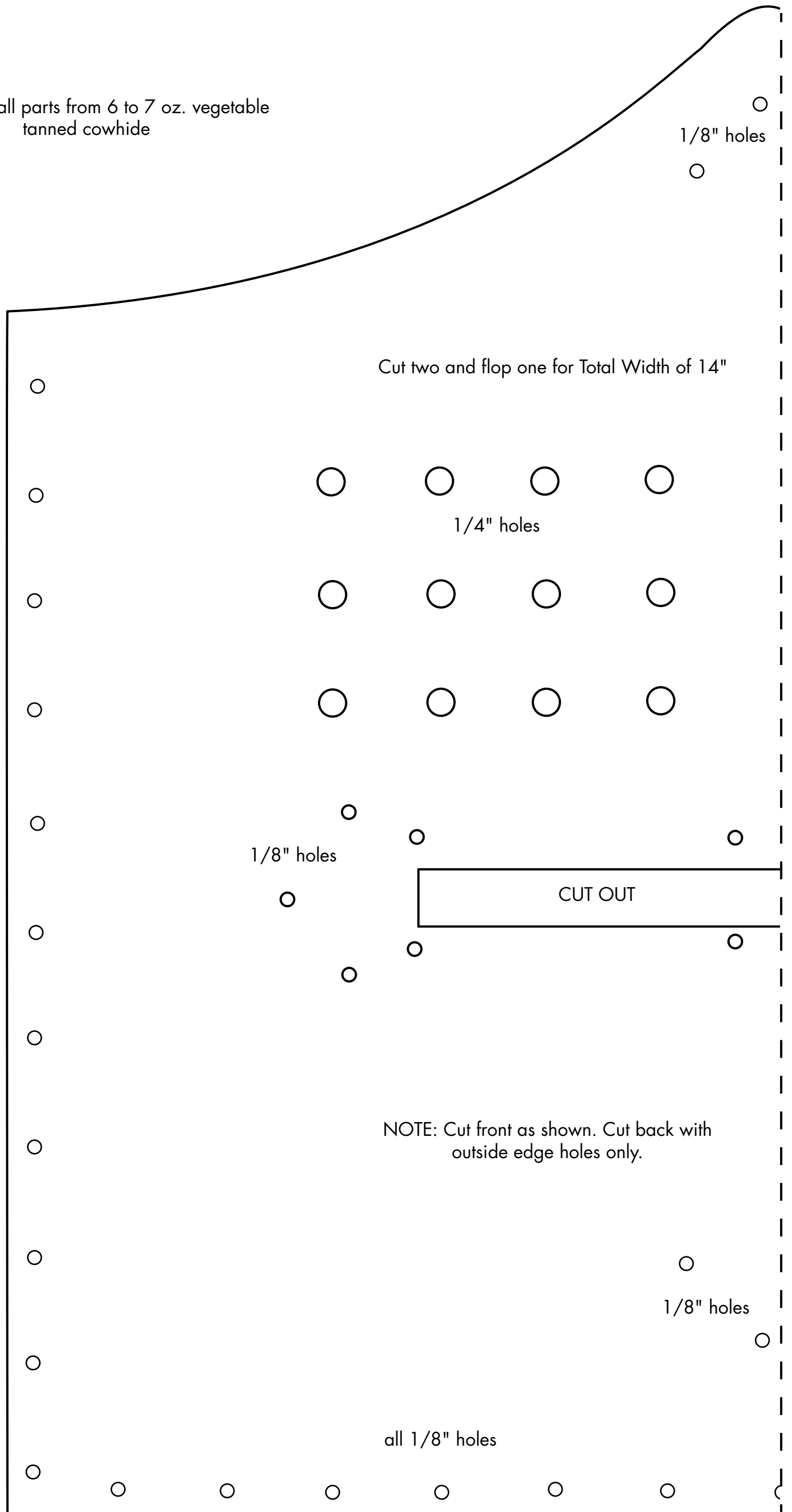
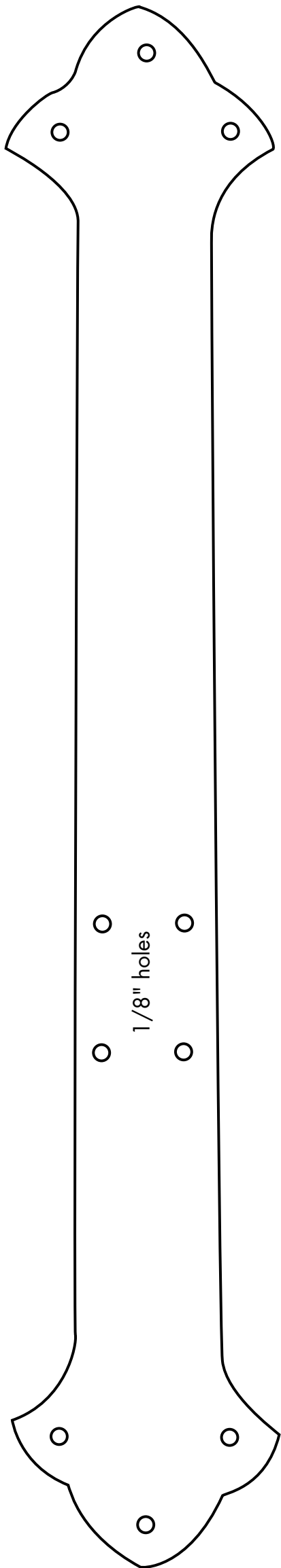
Dandy LEATHER
EST. 1919

TLF_GH CRUSADER HELMET_0915



SKIVE

NOTE: Cut all parts from 6 to 7 oz. vegetable tanned cowhide



Cut two and flop one for Total Width of 14"

1/4" holes

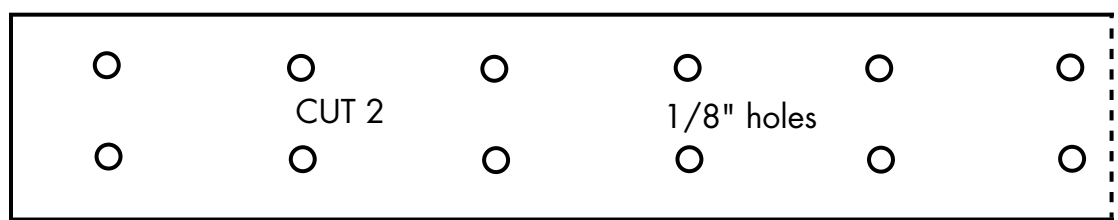
1/8" holes

CUT OUT

NOTE: Cut front as shown. Cut back with outside edge holes only.

1/8" holes

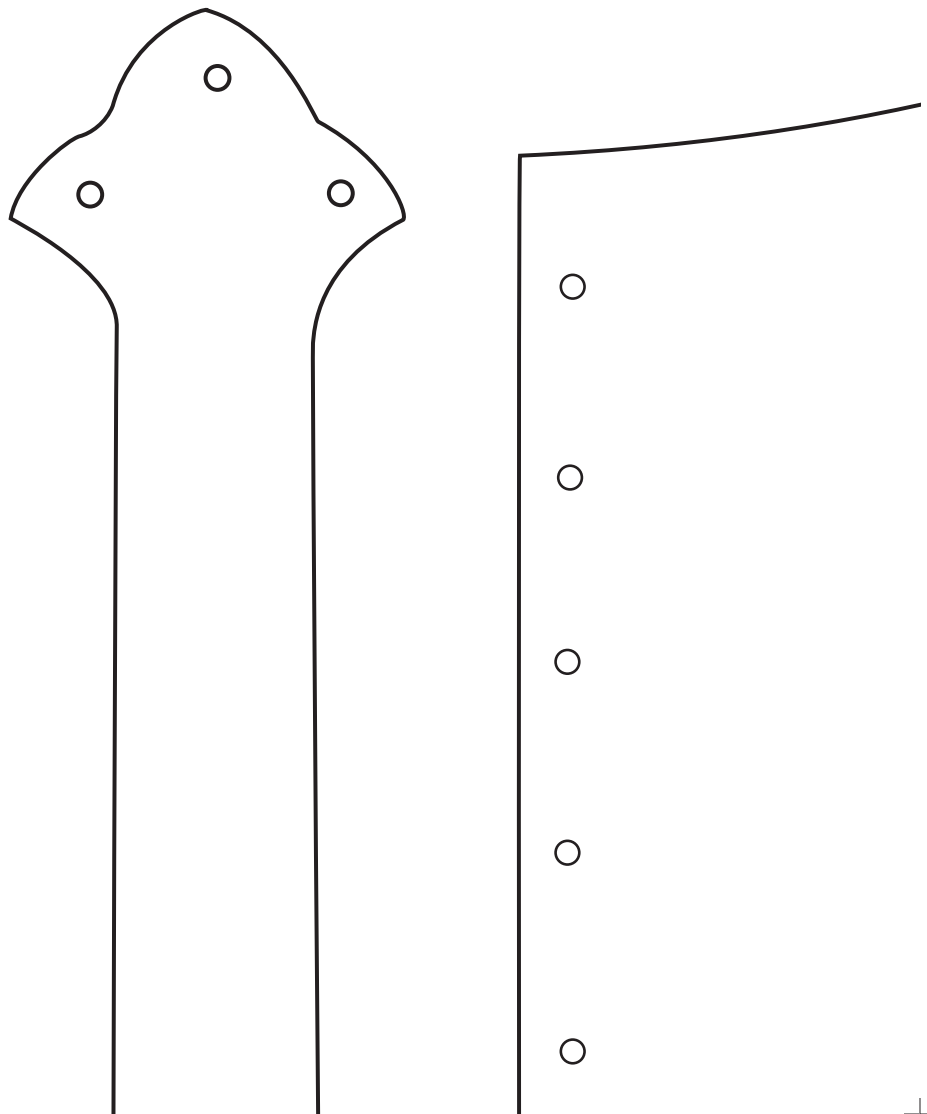
all 1/8" holes



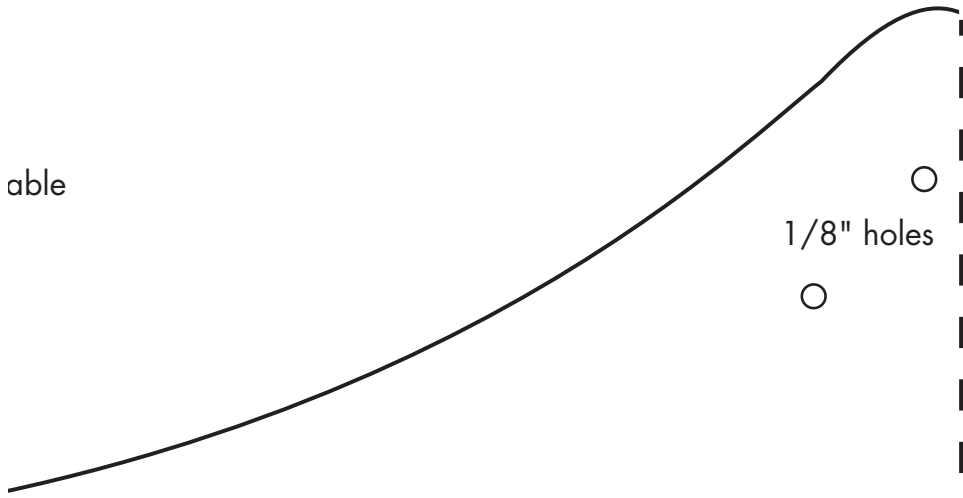
Length 5-1/2"

Cut two and flop one for Total Length of 11"

NOTE: Cut all parts from 6 to 7 oz. veget
tanned cowhide



able



1/8" holes

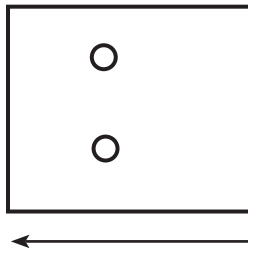
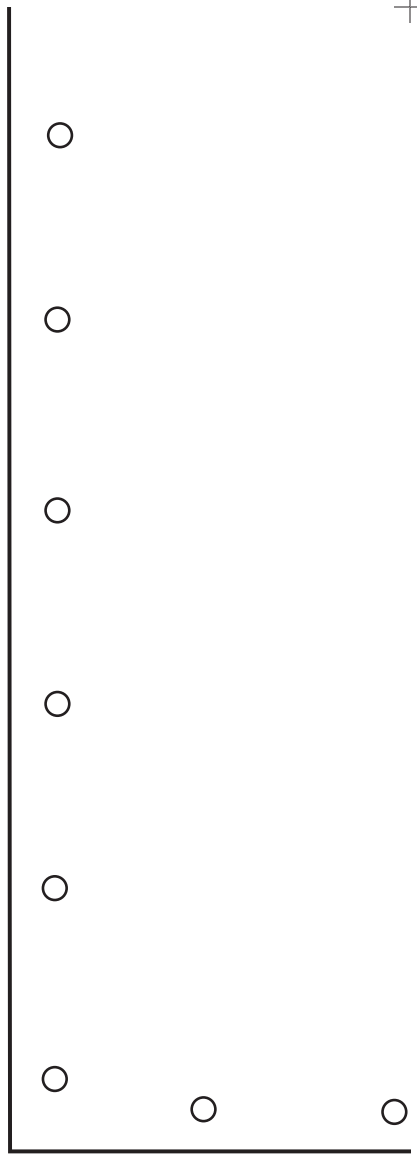
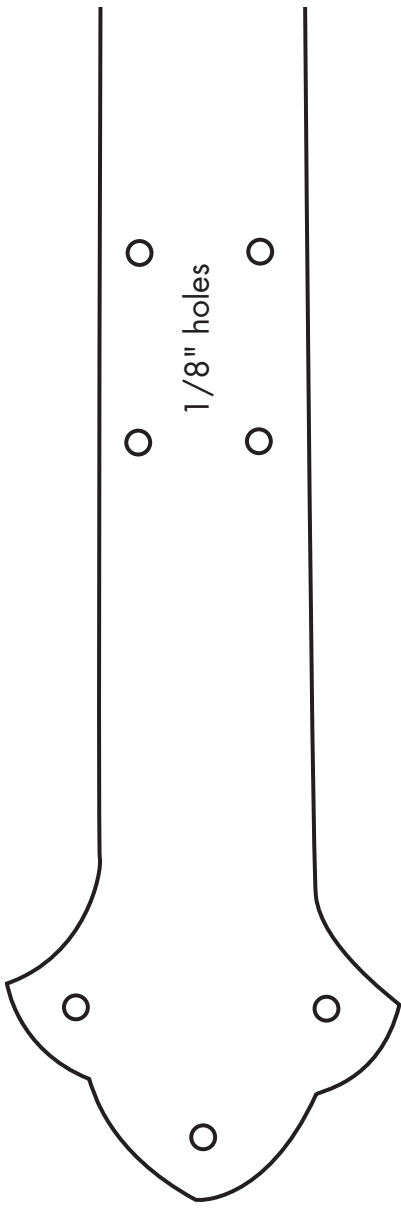
Cut two and flop one for Total Width of 14"



1/4" holes



1/8" holes



1/8" holes



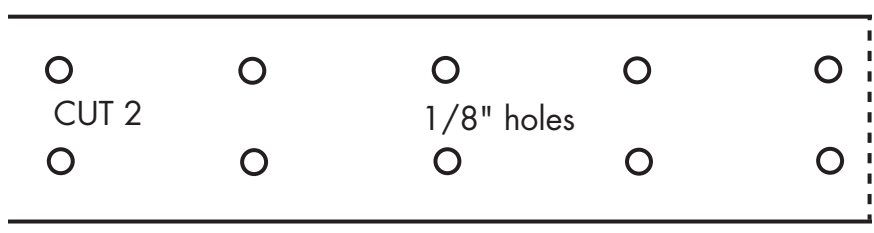
NOTE: Cut front as shown. Cut back with outside edge holes only.



1/8" holes



all 1/8" holes



Length 5-1/2"

Cut two and flop one for Total Length of 11"