



DIGITAL MEDIA FOR LEATHERCRAFTERS  
**LeathercraftLibrary.com**

Visit [www.tandy Leather Factory.com](http://www.tandy Leather Factory.com) for all the supplies needed to complete this project. Visit [www.LeathercraftLibrary.com](http://www.LeathercraftLibrary.com) for more great carving patterns.

1/4" HOLES

**LACE UP CLOSURE**

CUT BODY FROM 6 TO 7 OZ.  
VEGETABLE TANNED COWHIDE



1/4" HOLES

### ARCHERY ARM GUARDS

Design by George Hurst Pattern is reproduced at 100%

5/32" HOLES

**LACE HOOK CLOSURE**

CUT BODY FROM 6 TO 7 OZ.  
VEGETABLE TANNED COWHIDE



1/8" HOLES





DIGITAL MEDIA FOR LEATHERCRAFT  
**LeathercraftLibrary**

Visit [www.tandyleatherfactory.com](http://www.tandyleatherfactory.com) for all the  
complete this project. Visit [www.L LeathercraftLib](http://www.L LeathercraftLib)  
great carving patterns.

1/4" HOLES

**LACE UP  
CLOSURE**

CUT BODY FROM 6 TO 7 OZ.  
VEGETABLE TANNED COWHIDE



CRAFTERS  
**y.com**  
supplies needed to  
crafty.com for more

## ARCHERY ARM GUARDS

Design by George Hurst Pattern is reproduced at 100%

5/32" HOLES

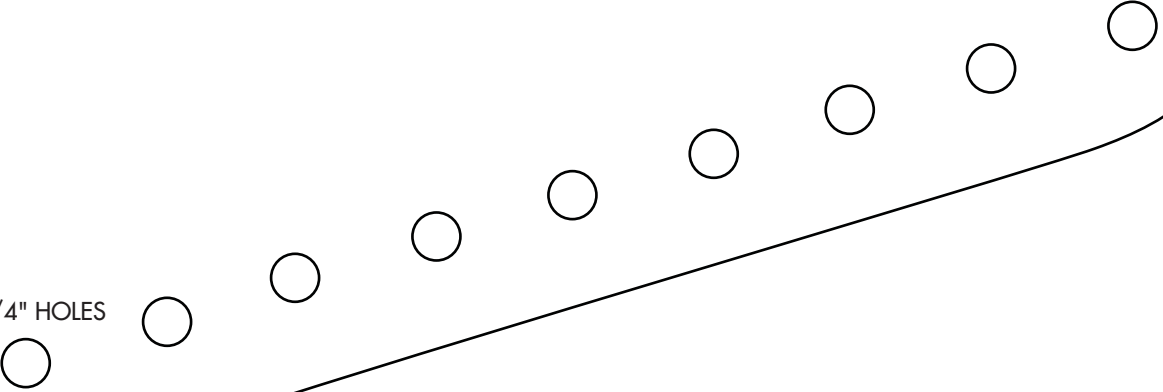
LACE HOOK  
CLOSURE

CUT BODY FROM 6 TO 7 OZ.  
VEGETABLE TANNED COWHIDE





1/4" HOLES





1/8" HOLES



©2013 Tandy Leather Factory. All rights reserved.

TLF\_ArcheryArmGuards\_1013



DIGITAL MEDIA FOR LEATHERCRAFTERS  
**LeathercraftLibrary.com**

Visit [www.tandy Leather Factory.com](http://www.tandy Leather Factory.com) for all the supplies needed to complete this project. Visit [www.LeathercraftLibrary.com](http://www.LeathercraftLibrary.com) for more great carving patterns.

**LACE & CONCHO CLOSURE**

13/64" HOLES



CUT BODY FROM 6 TO 7 OZ.  
VEGETABLE TANNED COWHIDE

13/64" HOLES

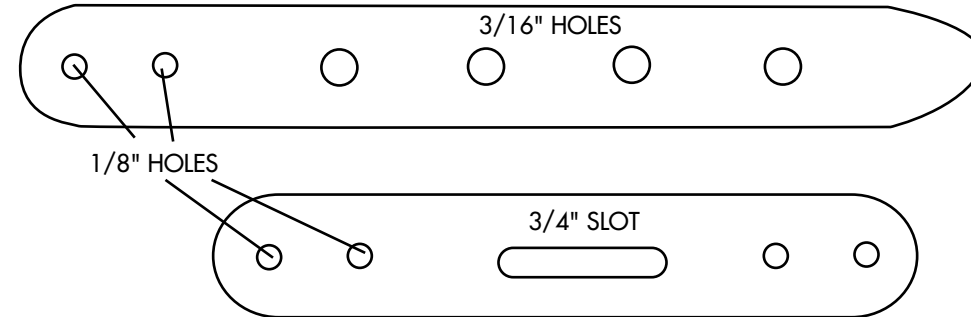
**BUCKLE & TAB CLOSURE**

1/8" HOLES



BUCKLE TABS CUT FROM 4 TO 5 OZ.  
VEGETABLE TANNED COWHIDE

CUT BODY FROM 6 TO 7 OZ.  
VEGETABLE TANNED COWHIDE



3/16" HOLES

1/8" HOLES

3/4" SLOT

1/8" HOLES



©2013 Tandy Leather Factory. All rights reserved.



DIGITAL MEDIA FOR LEATH

**LeathercraftLibra**

Visit [www.tandyleatherfactory.com](http://www.tandyleatherfactory.com) for all  
to complete this project. Visit [www.Leaders.com](http://www.Leaders.com)  
more great carving patter

**LACE & CONCHO  
CLOSURE**



13/64" HOLES



LEATHERCRAFTERS  
**craftLibrary.com**  
the supplies needed  
craftLibrary.com for  
patterns.

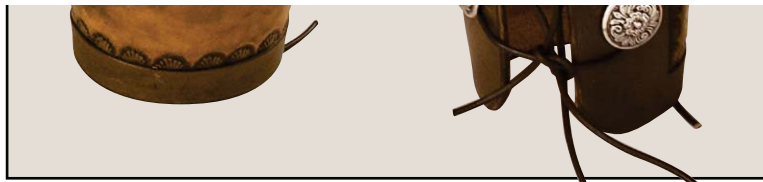
1/8" HOLES

**BUCKLE & TAB  
CLOSURE**



CUT BODY FROM 6 TO 7 OZ.  
VEGETABLE TANNED COWHIDE





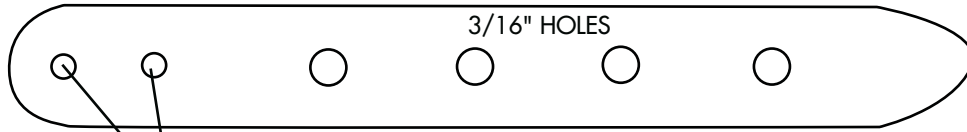
CUT BODY FROM 6 TO 7 OZ.  
VEGETABLE TANNED COWHIDE

13/64" HOLES

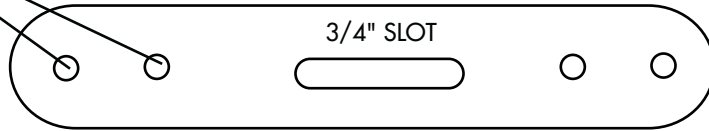




BUCKLE TABS CUT FROM 4 TO 5 OZ.  
VEGETABLE TANNED COWHIDE



1/8" HOLES



3/4" SLOT

1/8" HOLES



©2013 Tandy Leather Factory. All rights reserved.

TLF\_ArcheryArmGuards\_1013